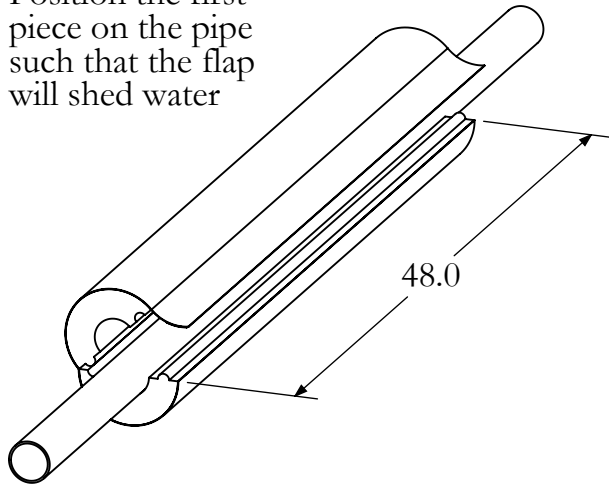


# ASJ 79 Quick Installation Guide

*\*see attached literature for complete installation instructions*

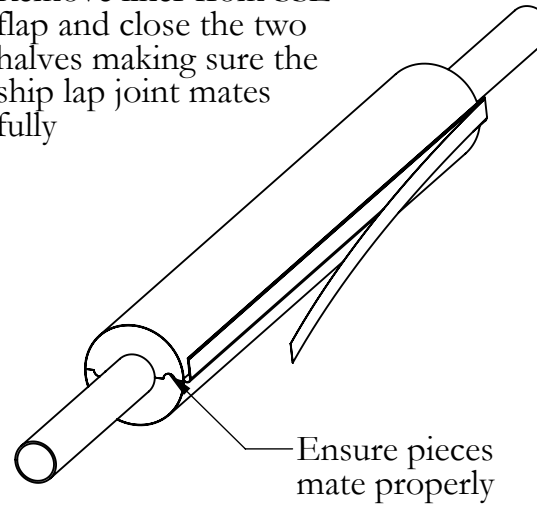
## Step 1:

Position the first piece on the pipe such that the flap will shed water



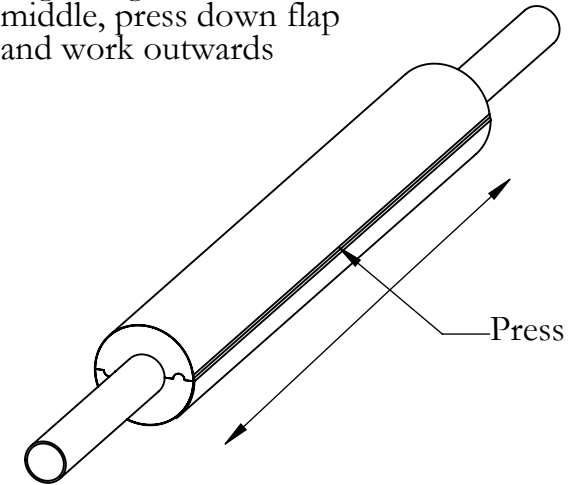
## Step 2:

Remove liner from SSL flap and close the two halves making sure the ship lap joint mates fully



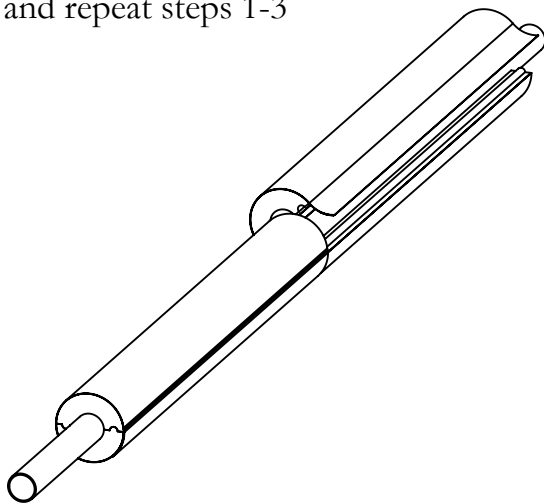
## Step 3:

Beginning from the middle, press down flap and work outwards



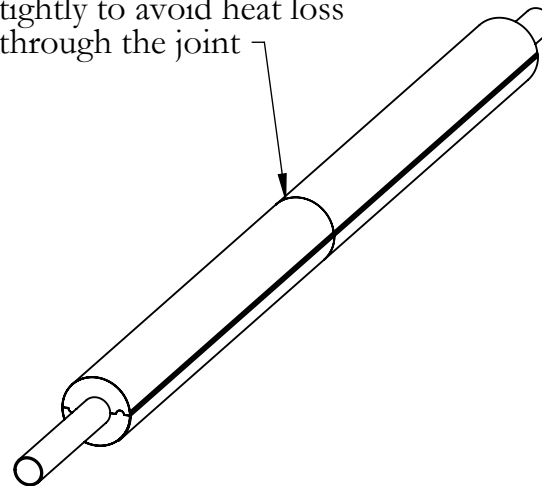
## Step 4:

Position the next piece and repeat steps 1-3



## Step 5:

Butt sections together tightly to avoid heat loss through the joint



## Step 6:

Apply ASJ butt strip to circumferential joint

